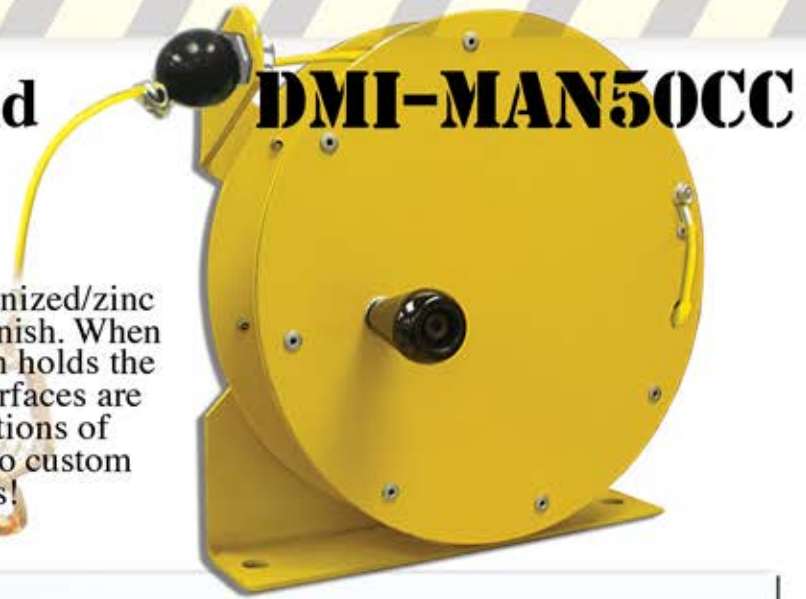


**Quality, reliability and
a reasonable price.**

Our manual reel construction is of galvanized/zinc plated steel with a durable baked enamel finish. When paying out cable, a sturdy latching system holds the cable at the desired length. All bearing surfaces are permanently lubricated. Various combinations of cable, end fittings and color are available to custom tailor a reel to your specific requirements!



DMI-MAN50CC



Cable: 50 ft., 3/32" dia. 7x7 galvanized cable, yellow Hytrel jacket

Clamp: 100 Amp Copper Clamp #21C

Color: Yellow

Cable Clamp and Plug Options

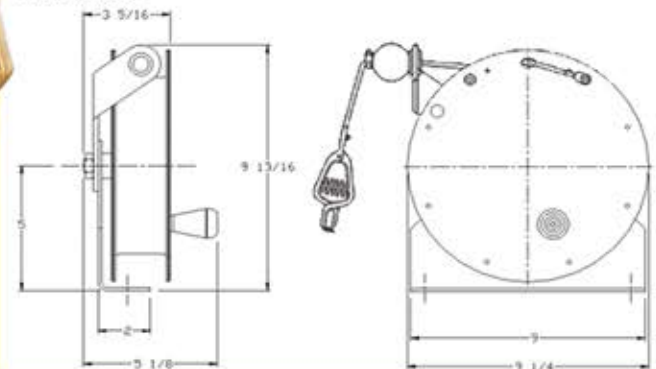
100 Amp Mueller Copper Clamp #21C (shown)

100 Amp Mueller 11A Extra Large Clamp

Military Style Plug MIL-C 83413/4

Military Style Clamp MIL-C 83413/7

DMI-MAN50



Military Specification: A-A-50696

Electrical Resistance: 10 ohms max. (clamp to mounting base).

Life Cycle: Tested to 5,000 cycles (full extension and retraction).

Operating Temperature Range: -65° F to 125° F

Storage Temperature Range: -80° F to 160° F

Delmaco Manufacturing, Inc.

21424 Cedar Creek Ave.
Georgetown, DE 19947-6305

sales@delmacomfg.com
www.delmacomfg.com
phone: 302-521-8888
fax: 302-856-6347